

Automotive



Good connections last a lifetime

Plastimat GmbH: Location and places



Oranienburg

- Development
- Tool design and construction
- Quality Management
- Administration
- Production: Traffic engineering, Automotive, LED

Rheda-Wiedenbrück

- Administration
- Production: Traffic engineering, Automotive

Neukolbing

- Production: Traffic engineering



Table of contents

Connectors 12 V

- 4 **NEW !** Connectors Plastimat Perfect (13-pin and 7-pin | watertight on both sides)
- 10 Connectors 13-pin
- 14 Connectors **WeSt**, 7-/13-pin
- 16 Connectors 7-pin
- 18 Adapters
- 21 Contact allocation 12 V
- 21 Cable harnesses

Connectors 24 V

- 22 **NEW !** Connectors 24 V (watertight on both sides)
- 26 Connectors 15-pin
- 28 Connectors EBS
- 30 Connectors ABS
- 32 Connectors 7-pin
- 34 Spiral cables and adapters
- 37 Contact allocation 24 V

Light & Reflectors

- 40 Safety warning lights
- 42 Tail lift warning lights
- 45 Accessories for tail lifts
- 46 Reflectors for commercial vehicles
- 47 Side marker lights
- 49 Vehicle specific reflectors according to customer's design

The company Plastimat GmbH

- 50 Philosophy and production „Made in Germany“



Plastimat **Perfect** – The new generation

NEW!

Quality and Innovation

Plastimat has for many decades been the leading and innovative manufacturer of connectors for tow bars and guarantees the highest quality in this market segment.

The ever increasing electronic components and the increasing digitalization in the automotive sector require a high level of innovation within the company that we constantly promote.

In developing the new generation of sockets we focused on our corporate philosophy: „Maximum reliability in service“.

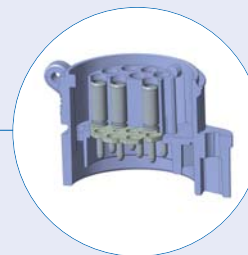
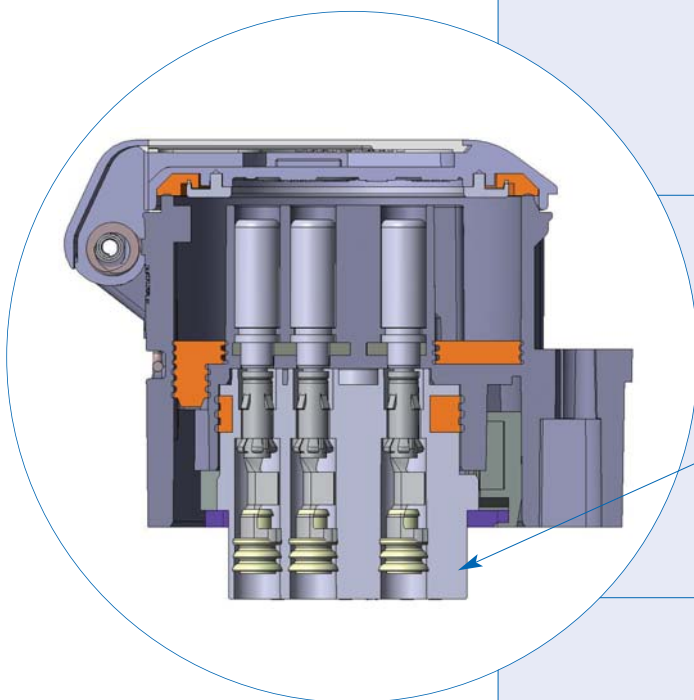
The previous generation of sockets is already protected by very high quality and is very good against corrosion and humidity. However, after partial damage or dismantling of cover or grommet the socket is not always replaced or repaired. This can lead to water ingress along the wire to the harness.

Plastimat **Perfect** is built on a smaller design and developed from the pivoting tow bars, the sockets Plastimat has been manufacturing since 1997. The mounting holes comply with the standards.

Injected contacts and an additional contact insert ensure that no water can get into the socket. The front section of the socket is fully interchangeable. In the case of a damaged cover or damage in front of the socket the housing can easily be replaced.

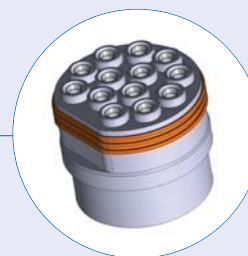
Plastimat also develops cable kits according to customer's request.
Development – Mounting instruction – Manufacture by Plastimat.

See illustrations:



Replaceable front section of the socket with **injected** contacts (watertight)

Cross section of contact insert



Contact insert

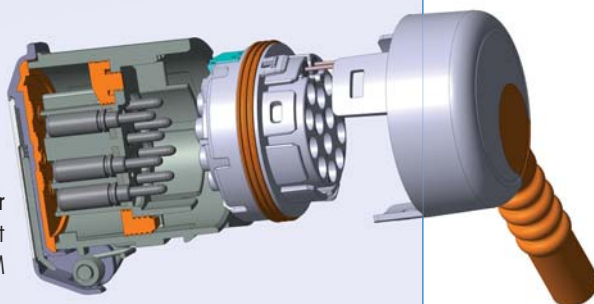
for all 7- and 13-pin systems

NEW !

USC pi 13: Perfect, integrated (13-pin socket ISO 11446)

The 3 systems

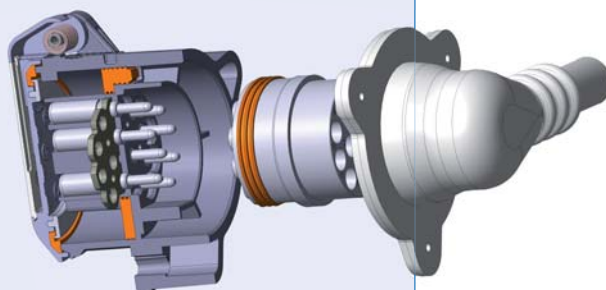
Pivoting tow bar
with integrated socket
OEM



USC p 13: Perfect (13-pin socket ISO 11446)

Applicable for each standard socket

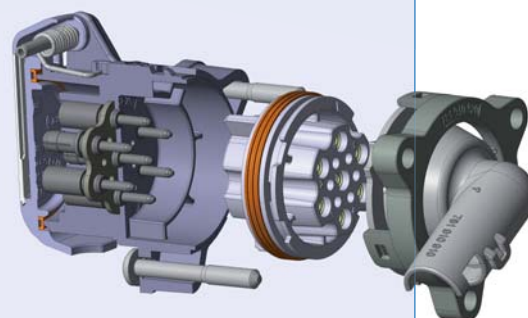
13-pin ISO 11446
with 3 screw fitting



USC p 7: Perfect (7-pin socket ISO 1724)

Applicable for each standard socket

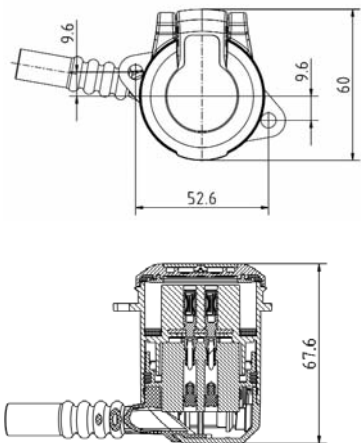
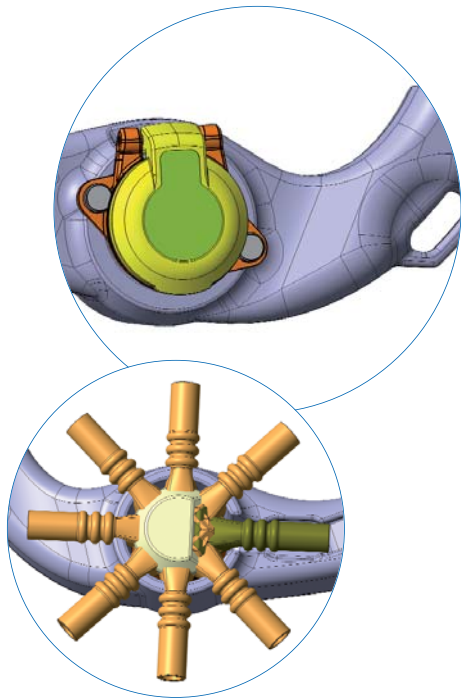
7-pin ISO 1724
with 3 screw fitting





Connectors | 12 V | Plastimat Perfect

NEW !



Art.-No.	Description
	USC pi 13 socket: Perfect, integrated, ISO 11446
	<ul style="list-style-type: none"> · Load capacity: 20 A at 12 V · Seal in cover · Material: Plastic PA612 GF30
	Advantages:
	<ul style="list-style-type: none"> · watertight on both sides · injected contacts (Miralloy surface coating) · Housing with cover simple to exchange · For pivoting tow bars · With or without microswitch · Available with crimping tool
781 200 100	Housing with cover
781 200 910	Contact holder
781 200 925	Retaining guide
781 200 930	EPDM-grommet 90°
781 200 820	Contact sleeve 1-2,5 mm ²
781 200 810	Contact sleeve 0,35-1 mm ²
781 200 840	Single wire seal 1-2,5 mm ²
781 200 830	Single wire seal 0,35-1 mm ²
781 200 850	Cavity plug

NEW !

Connectors | 12 V | Plastimat Perfect



Art.-No. Description

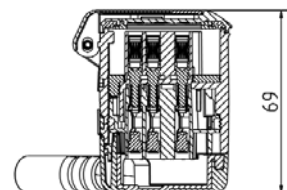
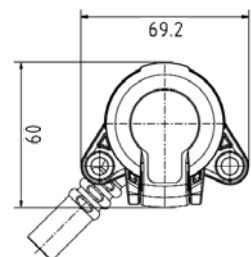
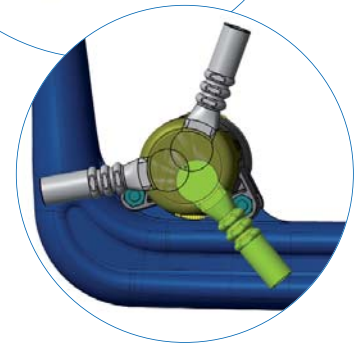
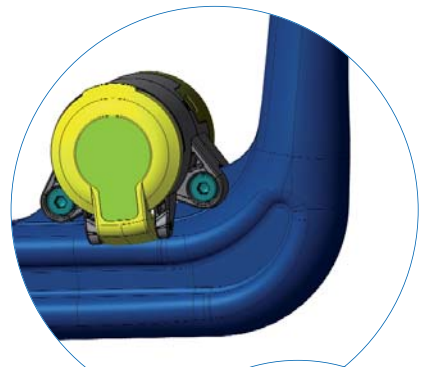
USC piw 13 socket: Perfect, on top of the tow bar ISO 11446

- Load capacity: 20 A at 12 V
- Seal in cover
- Material: Plastic PA612 GF30

Advantages:

- watertight on both sides
- injected contacts (Miralloy surface coating)
- Housing with cover simple to exchange
- For pivoting tow bars
- With or without microswitch
- Available with crimping tools

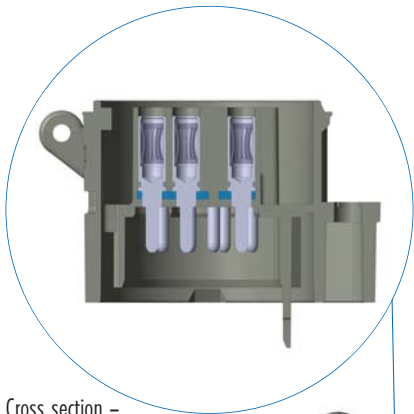
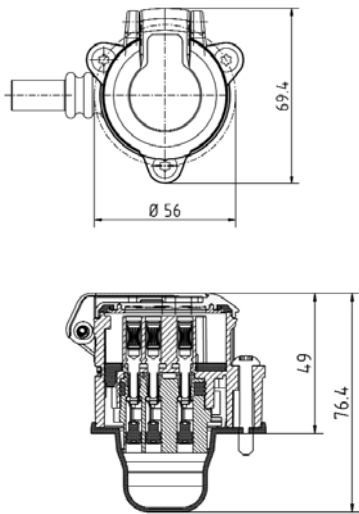
781 400 110	Housing with cover
781 400 900	Contact holder
781 400 920	Retaining guide
781 400 930	EPDM grommet 90°
781 200 820	Contact sleeve 1-2,5 mm ²
781 200 810	Contact sleeve 0,35-1 mm ²
781 200 840	Single wire seal 1-2,5 mm ²
781 200 830	Single wire seal 0,35-1 mm ²
781 200 850	Cavity plug



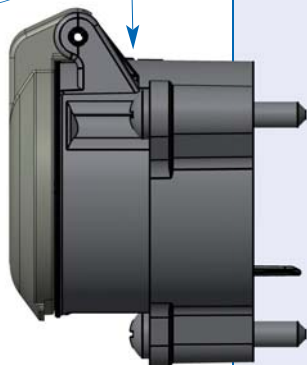


Connectors | 12 V | Plastimat Perfect
Compatible with all mounting plates

NEW !



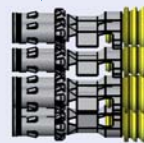
Cross section –
 injected contacts
 watertight



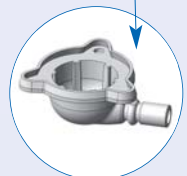
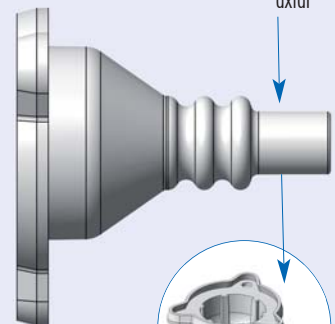
Contact holder



Contacts with
 single wire seals



EPDM
 cable exit
 axial



or lateral cable exit

Art.-No.	Description
	USC p 13 socket: Perfect ISO 11446
	<ul style="list-style-type: none"> · Load capacity: 20 A at 12 V · Seal in Cover · Material: Plastic PA612 GF30
	Advantages:
	<ul style="list-style-type: none"> · watertight on both sides · Injected Contacts (Miralloy surface coating) · Housing with cover simple to exchange · Compatible with all mounting plates 13- or 7-pin · Cable exit can be put in 3 positions in 120°-offset · Available with crimping tools
781 300 320	Complete kit with socket, contacts, contact holder, cable guide and EPDM grommet 90°
781 300 310	Complete kit with socket, contacts, contact holder, cable guide and EPDM axial grommet

Accessories for Plastimat Perfect USC p 13	
781 300 100	Housing with cover
781 300 900	Contact holder
781 300 930	EPDM grommet 90°
781 200 940	EPDM grommet axial
781 200 820	Contact sleeve 1-2,5 mm ²
781 200 810	Contact sleeve 0,35-1 mm ²
781 200 840	Single wire seal 1-2,5 mm ²
781 200 830	Single wire seal 0,35-1 mm ²
781 200 850	Cavity plug

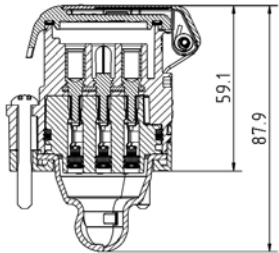
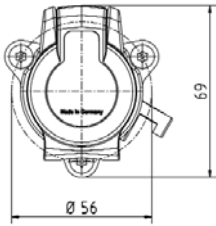
Connectors | 12 V | Plastimat Perfect

Compatible with all mounting plates

NEW !

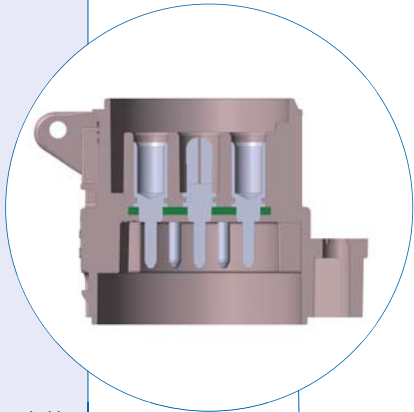


Art.-No.	Description
	<p>USC p 7 socket: Perfect (7-pin socket ISO 1724)</p> <ul style="list-style-type: none"> · Load capacity: 20 A at 12 V · Seal in Cover · Material: Plastic PA612 GF30 <p>Advantages:</p> <ul style="list-style-type: none"> · watertight on both sides · Injected Contacts (Miralloy surface coating) · Housing with cover simple to exchange · Compatible with all mounting plates 13- or 7-pin · Cable exit can be put in 3 positions in 120°-offset · Available with crimping tools
783 200 320	Complete kit with socket, contacts, contact holder, cable guide and EPDM grommet 90°
783 200 310	Complete kit with socket, contacts, contact holder, cable guide and EPDM axial grommet

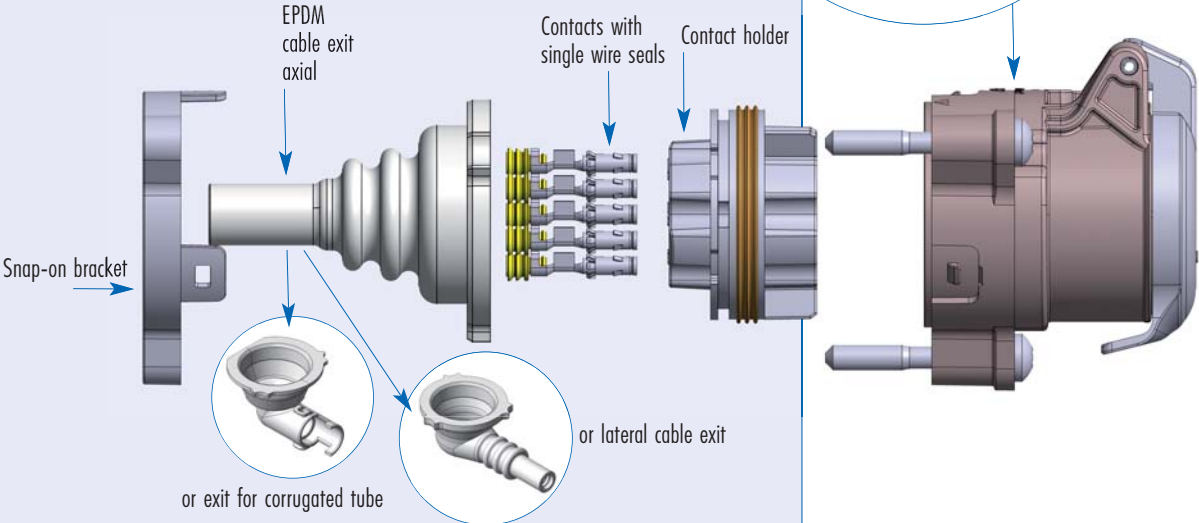


Accessories for Plastimat Perfect USC p 7

783 200 110	Housing with cover
783 200 910	Contact holder
783 200 920	EPDM grommet 90°
783 200 930	EPDM grommet axial
781 910 910	Cable guide 90°
781 910 920	Retainer
781 200 820	Contact Sleeve 1-2,5 mm ²
781 200 810	Contact Sleeve 0,35-1 mm ²
781 200 840	Single wire seal 1-2,5 mm ²
781 200 830	Single wire seal 0,35-1 mm ²
781 200 850	Cavity plug



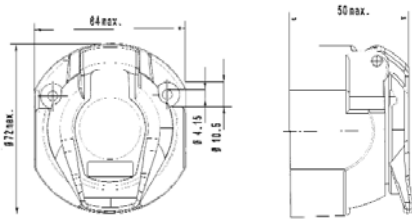
Cross section – injected contacts watertight



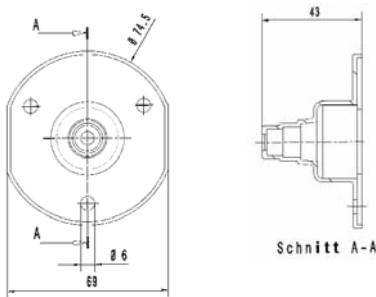


Connectors | 13-pin

12 V | ISO 11446



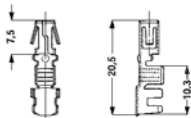
Grommet



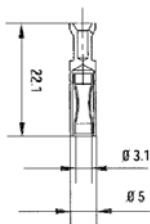
Screw Contacts



Crimp contact



Soldering



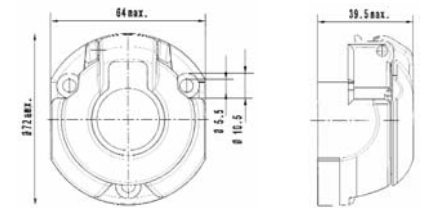
Art.-No.	Description
	13-pin socket ISO 11446 <ul style="list-style-type: none"> Impact resistant plastic Load capacity: 20 A at 12 V Seal in cover Material: Plastic PA6 MD30 Incl. grommet Available with crimping tools
	with screw contacts Miralloy surface coating <ul style="list-style-type: none"> without microswitch for rear fog light with microswitch for rear fog light with microswitch for rear fog light, right exit
780 200 000	
780 301 000	
780 301 400	
	with crimp contacts (stamped contacts) <ul style="list-style-type: none"> without microswitch for rear fog light with microswitch for rear fog light
780 200 100	
780 301 300	
	with soldering contacts (massive contacts) <ul style="list-style-type: none"> without microswitch for rear fog light with microswitch for rear fog light
780 200 500	
780 301 500	
780 202 000	Park socket ISO 11446
... .. 1	Individual packaging
	Accessories Crimp contact for socket ISO 11446 RAM-Contact sleeves <ul style="list-style-type: none"> 0,5 - 1,0 mm² (Reel of 3.000 pcs) 1,0 - 2,5 mm² (Reel of 3.000 pcs) 2,5 - 6,0 mm² (Reel of 3.000 pcs)
780 301 930	
780 301 920	
780 301 940	
	Solder contact (also crimpable) for socket ISO 11446 <ul style="list-style-type: none"> 0,5 mm² 1,0 mm² 1,5 mm² 2,5 mm²
780 210 650	
780 210 660	
780 210 670	
780 210 680	

Connectors | 13-pin

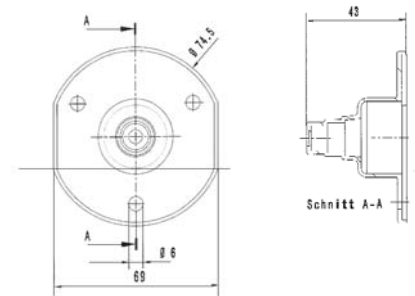
12 V | ISO 11446 | 40 mm



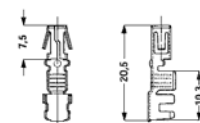
Art.-No.	Description
	13-pin socket ISO 11446 40 mm <ul style="list-style-type: none"> Impact resistant plastic Load capacity: 20 A at 12 V Seal of santoprene in the cover Material: Plastic PA6 MD30 Incl. grommet Available with crimping tools
	with crimp contacts (stamped contacts) 780 500 200 Without microswitch for rear fog light, axial exit 780 700 200 Without microswitch for rear fog light, right exit 780 510 200 With microswitch for rear fog light, axial exit 780 710 200 With microswitch for rear fog light, right exit
	with soldering contacts (massive contacts) 780 500 100 Without microswitch for rear fog light, axial exit 780 700 100 Without microswitch for rear fog light, right exit 780 510 100 With microswitch for rear fog light, axial exit 780 710 100 With microswitch for rear fog light, right exit
... .. 1	Individual packaging
	Accessories Crimp contacts for socket ISO 11446 RAM-Contact sleeve 780 301 930 0,5 – 1,0 mm ² (Reel of 3.000 pcs) 780 301 920 1,0 – 2,5 mm ² (Reel of 3.000 pcs) 780 301 940 2,5 – 6,0 mm ² (Reel of 3.000 pcs)
	Soldering contacts (also crimpable) for socket ISO 11446 780 910 100 0,5 mm ² 780 910 200 1,0 mm ² 780 910 300 1,5 mm ² 780 910 400 2,5 mm ²



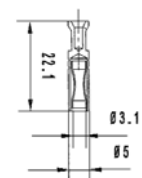
Grommet



Crimp contacts

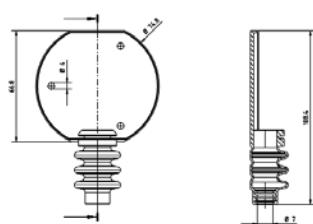
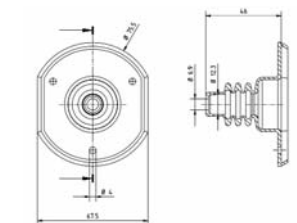
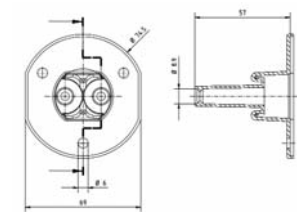
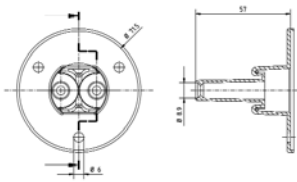
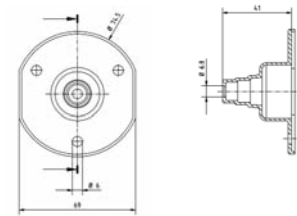
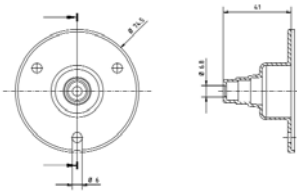


Soldering





Grommets



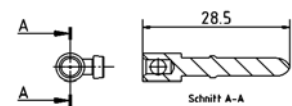
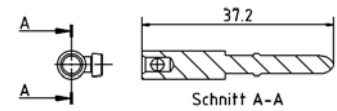
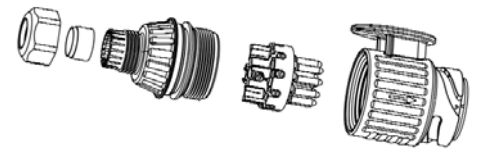
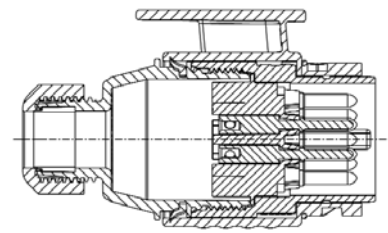
Art.-No.	Description
	· Material: TPE/EPDM
782 100 000	Grommet, round, axial
782 102 000	Grommet, standard (flat) axial
782 104 000	Grommet, round, with 2 exits
782 106 000	Grommet, standard, with 2 lateral exits
782 108 201	Grommet with bellows axial
782 109 400	Grommet with bellows right

Connectors | 13-pin | 12 V | ISO 11446



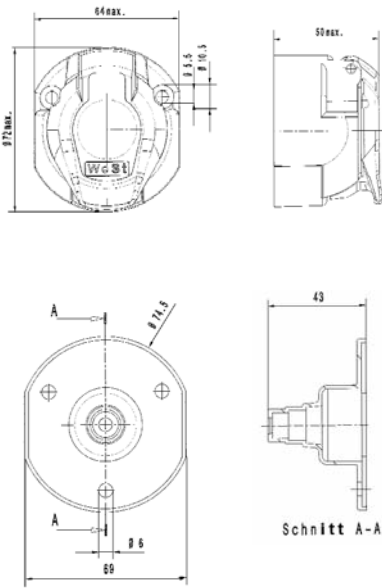
Art.-No.	Description
782 213 000	13-pin plug ISO 11446 <ul style="list-style-type: none"> • Screw contacts • With pull relief • Impact resistant plastic • Load capacity: 25 A at 12 V • Material: Plastic PA-GF66 • Cable gland • Bayonet nut connector
... .. 1	Individual packaging

... .. 5.	Dissembled
-----------	-------------------

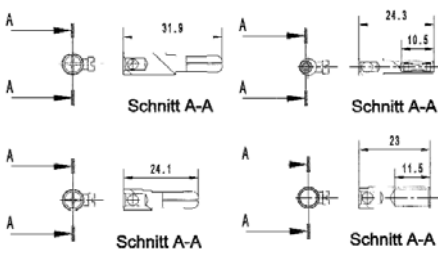




WeSt (Welt-Stecksystem)
Connectors 7-/13-pin | 12 V
ISO 1724 + 6 contacts



Screw contacts



Crimp contacts



Art.-No. Description

WeSt-Socket: quality same as ISO 11446

- Impact resistant plastic
- Load capacity: 25 A at 12 V
- Seals in cover
- Material: Plastic PA6 GF30
- Miralloy surface coating
- Dutch Norm NEN 6120
- Compatible with 7-pin connector system ISO 1724
- + 6 outer additional contacts
- Incl. grommet
- Available with crimping tools

782 320 100 **With screw contacts 7-pin**
 Without microswitch for rear fog light
 782 320 000 With microswitch for rear fog light

782 322 100 **With screw contacts 13-pin**
 Without microswitch for rear fog light
 782 322 000 With microswitch for rear fog light

... .. 7. **With crimp contacts**

... .. 1 **Individual packaging**

Accessories

Crimp contacts for WeSt-Socket
Contact sleeve

782 999 500 0,75 – 1,5 mm² (Reel of 1.200 pcs)
 782 999 550 1,5 – 2,5 mm² (Reel of 1.200 pcs)

Contact pin

782 999 600 0,75 – 1,5 mm² (Reel of 1.200 pcs)
 782 999 650 1,5 – 2,5 mm² (Reel of 1.200 pcs)

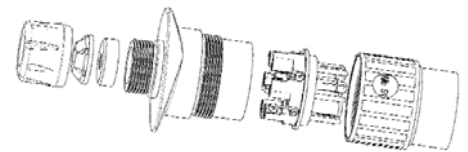
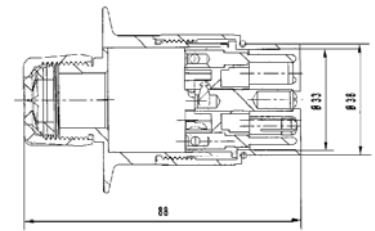
WeSt (Welt-Stecksystem)

Connectors 7-/13-pin | 12 V

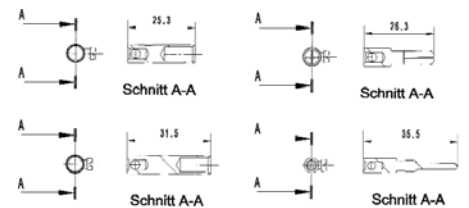
ISO 1724 + 6 contacts



Art.-No.	Description
	<p>WeSt-Plug: Quality same as ISO 11446</p> <ul style="list-style-type: none"> • Impact resistant plastic • Incl. Seal • Load capacity: 25 A at 12 V • Material: Plastic PP • Miralloy surface coated • Dutch Norm NEN 6120 • Compatible with 7-pin system ISO 1724 • + 6 outer contacts
782 310 000	With screw contacts 7-pin
782 312 000	With screw contacts 13-pin
... .. 1	Individual packaging
... .. 1..	Dissembled

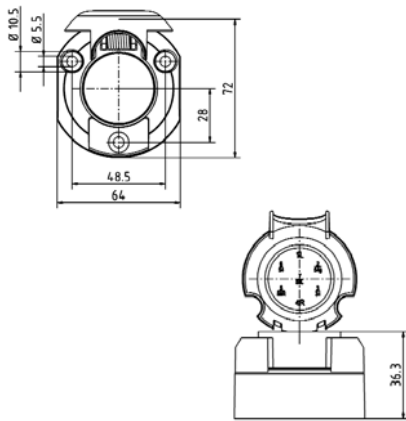


Screw contact





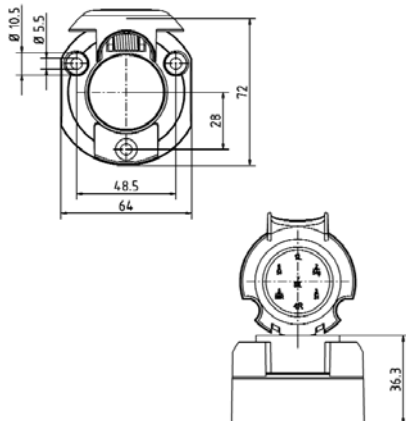
Connectors | 7-pin | 12 V | ISO 1724



Art.-No.	Description
	7-pin socket ISO 1724 <ul style="list-style-type: none"> Impact resistant plastic Middle contact (58 L), with contact pin Load capacity: 20 A at 12 V Screw contacts
782 220 200	Without microswitch for rear fog light
782 220 000	With microswitch for rear fog light
	Accessories
782 102 000	Grommet, flat, exit axial



Art.-No.	Description
	7-pin socket nach ISO 1724 <ul style="list-style-type: none"> Metal Middle contact (58 L), with contact pin Load capacity: 20 A at 12 V Screw contacts
782 124 300	Without microswitch for rear fog light
782 124 100	With microswitch for rear fog light
	Accessories
782 102 000	Grommet, flat, exit axial

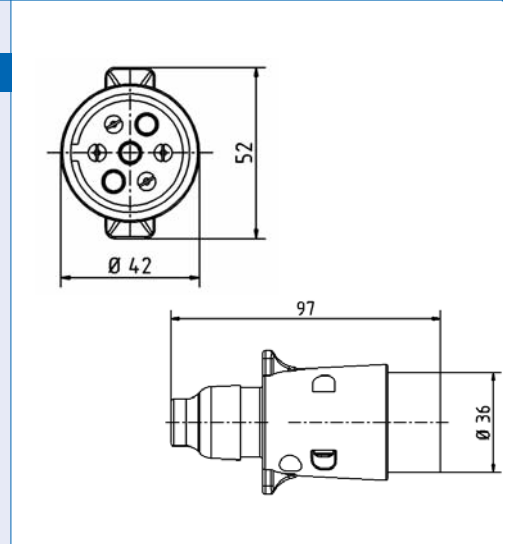


Connectors | 7-pin | 12 V | ISO 1724



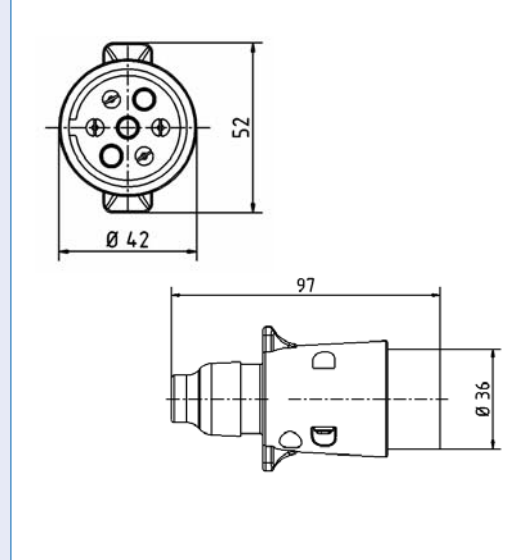
Art.-No. Description

782 210 000	<p>7-pin plug ISO 1724</p> <ul style="list-style-type: none"> · Impact resistant plastic · with pull relief · Middle contact (58 L), with contact sleeve · Load capacity: 20 A at 12 V · Screw connection
-------------	---



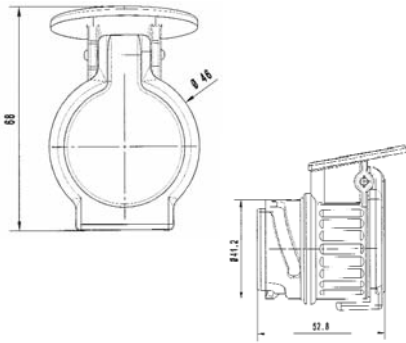
Art.-No. Description

782 111 000	<p>7-pin plug ISO 1724</p> <ul style="list-style-type: none"> · Metal · With pull relief · Middle contact (58 L), with contact sleeve · Load capacity: 20 A at 12 V · Screw connection
-------------	--





Adapters for connectors



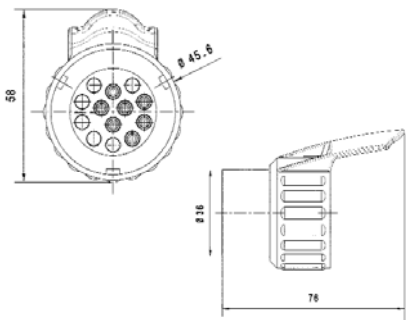
Art.-No.	Description
780 415 000	Adapter P 50 <ul style="list-style-type: none"> · 13- to 7-pin · Length: 50 mm · Material: PA6 GF30 · Seal in cover · Car: 13-pin socket; Trailer: 7-pin plug · ISO 11446 to ISO 1724 · watertight/injected contacts

... .. 1	Individual packaging
----------	-----------------------------



Art.-No.	Description
780 425 000	Adapter GB <ul style="list-style-type: none"> · 7- to 13-pin · Length: 50 mm · Material: PA6 GF30 · Car: 7-pin socket; Trailer: 13-pin plug · ISO 1724 to ISO 11446 · watertight/injected contacts

... .. 1	Individual packaging
----------	-----------------------------

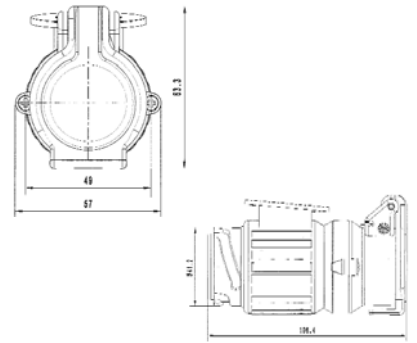


Adapters for connectors



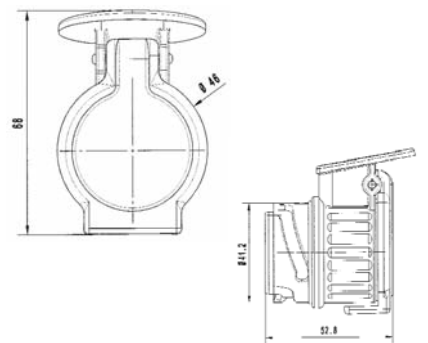
Art.-No.	Description
780 405 000	Short adapter <ul style="list-style-type: none"> · 13- to 7-pin · Length: 100 mm · Material: PA6 GF30 · Seal in cover · Car: 13- pin socket; Trailer: 7-pin plug · ISO 11446 to ISO 1724

... .. 1	Individual packaging
----------	----------------------



Art.-No.	Description
782 325 000	Mini-Short adapter (WeSt-System) <ul style="list-style-type: none"> · 13- to 13-pin · Length: 50 mm · Material: PA6 GF30 · Seal in cover · Car: 13-pin socket; Trailer: 7-pin plug (or WeSt -plug) · ISO 11446 to ISO 1724 · watertight/injected contacts

... .. 1	Individual packaging
----------	----------------------





Adapters for connectors

Art.-No.	Description
780 401 000	Cable adapter <ul style="list-style-type: none"> · 13- to 7-pin · Length: 700 mm · Car: 13-pin socket; Trailer: 7-pin plug · ISO 11446 to ISO 1724
... .. 1	Individual packaging



Art.-No.	Description
780 403 000	Cable adapter <ul style="list-style-type: none"> · 7- to 13-pin · Length: 700 mm · Car: 7 pin socket; Trailer: 13-pin plug · ISO 1724 to ISO 11446
... .. 1	Individual packaging

12 V | Passenger car

Contact allocation and colours of wires according to ISO



Functions	Contact No. ISO 1724	Contact No. ISO 3732	Colour of single wire	Contact No. ISO 11446	Colour of single wire
Left-hand direction indicator light	1		yellow	1	yellow
Rear fog light	2		blue	2	blue
Common return for contacts 1-2 and 4-8 ¹⁾	3		white	3	white
Right-hand direction indicator light	4		green	4	green
Right-hand rear marker, position light and licence plate lamp ²⁾	5		brown	5	brown
Brake lights	6		red	6	red
Left-hand rear marker, position light and licence plate lamp ²⁾	7		black	7	black
Reversing light		1	yellow	8	pink
Common return and permanent power supply		3	white	13	white/red
Permanent power supply		4	green	9	orange
Not allocated		5	brown		
Power supply (controlled by ignition switch)		6	red	10	grey
Common return for contact No. 10 (controlled by ignition switch) ¹⁾		7	black	11	white/black
Codification for connected trailer				12	

¹⁾ The 3 common return circuits must not be connected conductively on the side of the trailer.

²⁾ The licence plate lamp has to be connected in a way which ensures that no lamp of this construction is connected to both contacts 5 and 7.

**Cable kits with watertight sockets
upon customer request.
Development – mounting sheet –
made by Plastimat.**



NEW !

Socket 24 V watertight on both sides

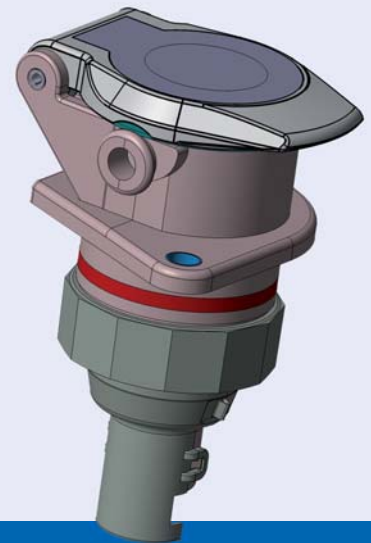
The new generation of 24 V socket

NEW: Massive contact with riveted crimp contact for automatic cable assembly

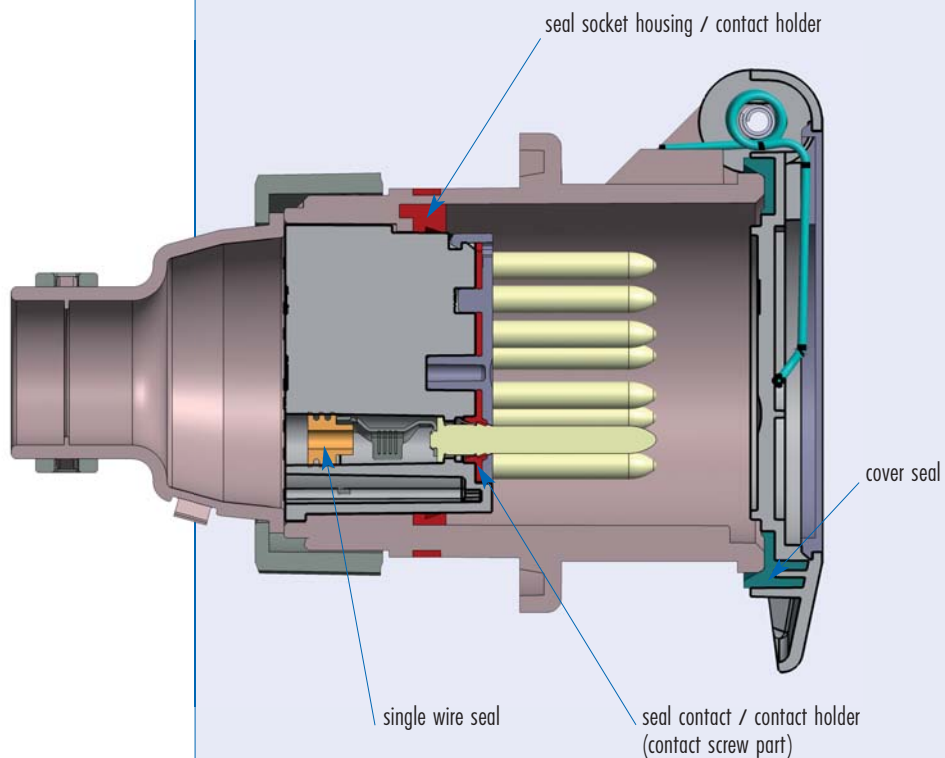
NEW: Waterproof at the front:
No water ingress because an additional seal inside the contact holder

Seal from back:
individual wire seal

Result: adapter watertight from both sides



Seal concept

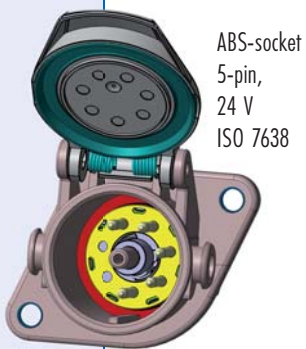
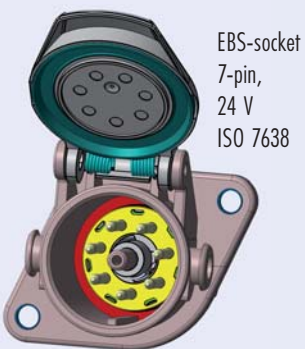
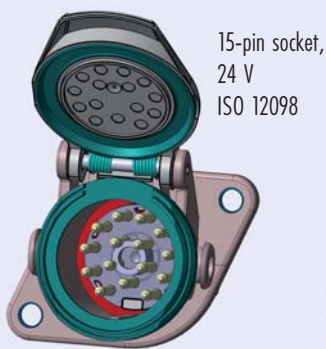


Sockets | 24 V | 15-pin

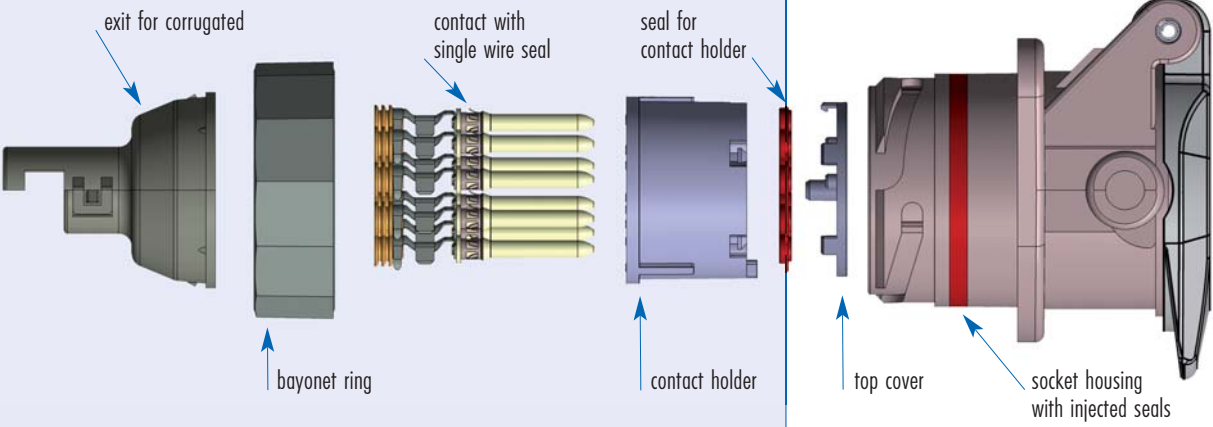
EBS 7-pin | ABS 5-pin

NEW!

Versions



Exploded view drawing 15-pin socket, 24 V



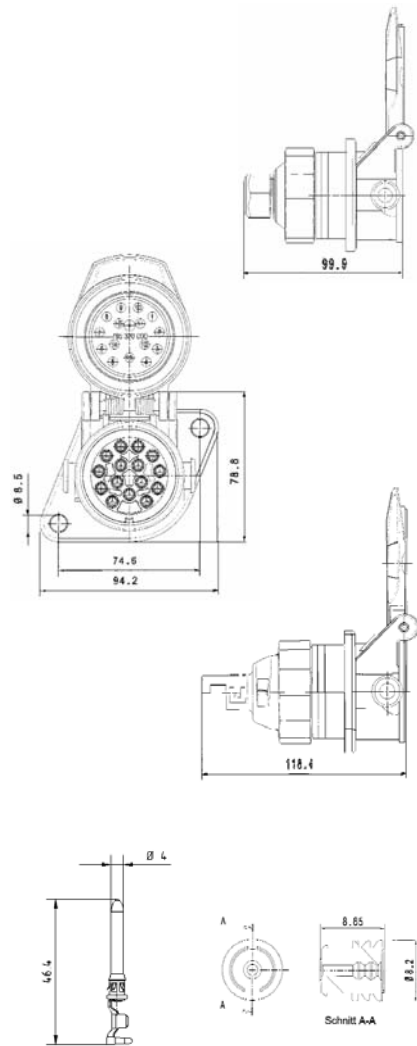
Conduit exit





Connectors | 15-pin | 24 V | ISO 12098

NEW !



Art.-No. Description

Socket 15-pin according to ISO 12098
 · Injected seal in housing
 · Controlled GGVS and ADR
 · For cable section 10-14 mm
 · 15 x 1,5 mm²
 · Massive contacts for crimped connection
 · Contact insert with seal
 · OEM-Version
 · Available with hand crimping tool

Version: Cable exit with screw cap nut
 785 320 500 Incl. pin contacts and seals

Version: conduit exit
 785 320 600 Incl. pin contacts and seals, conduit exit axial NW13
 785 320 700 Incl. pin contacts and seals, conduit exit 90° NW13
 785 320 800 Incl. pin contacts and seals, conduit exit axial NW17
 785 320 900 Incl. pin contacts and seals, conduit exit 90° NW17

785 220 300 **Park socket 24 V**

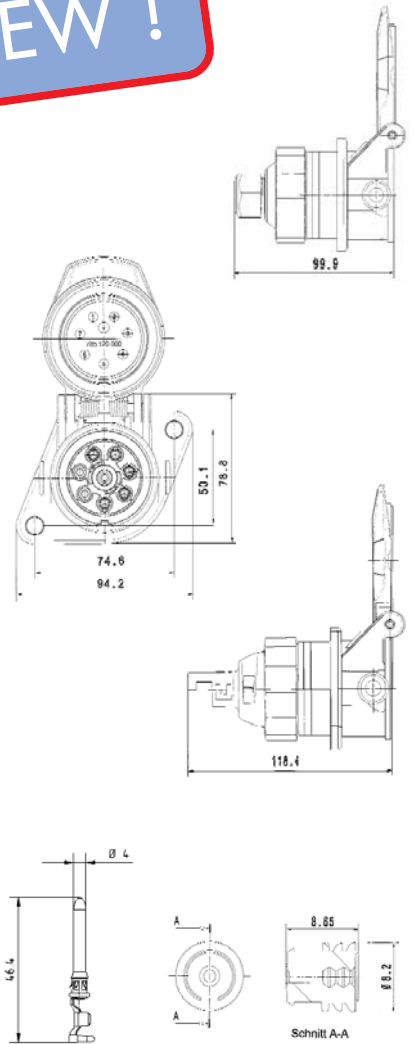
Additional parts
 785 325 000 Socket housing with cover
 785 320 080 Contact insert 15-pin with seal
 785 120 050 Bayonet ring
 785 120 030 Conduit exit axial NW13
 785 120 040 Conduit exit 90° NW13
 785 120 060 Conduit exit axial NW17
 785 120 070 Conduit exit 90° NW17

Accessories
Pin contacts massive with crimp connection 1 - 2,5 mm²
 785 130 911 Individual pin contact
 785 130 910 Reel of 1.200 pcs
 785 110 940 Single wire seal 1-2,5 mm² (2.500 pcs)



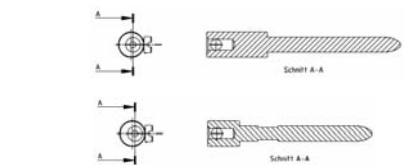
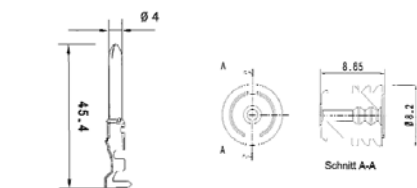
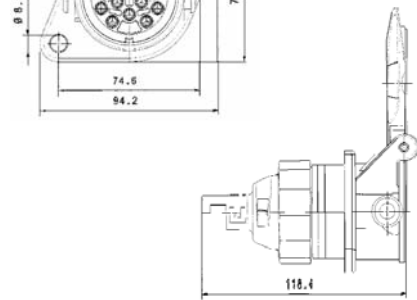
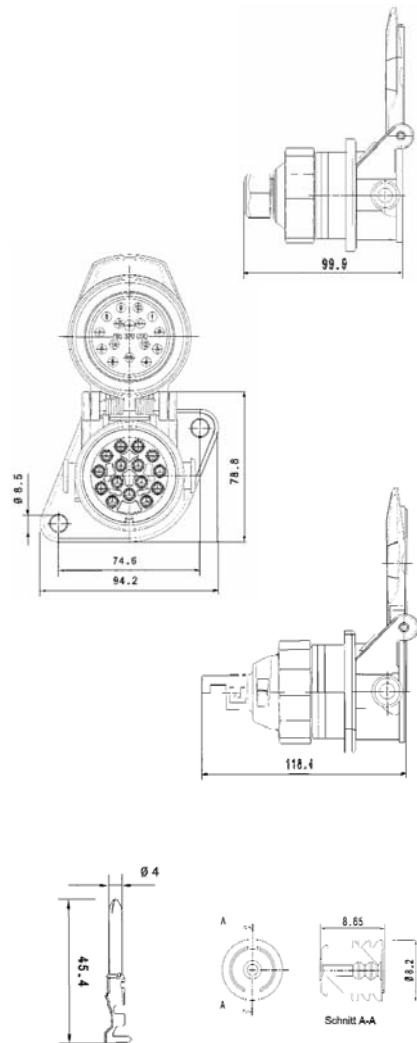
NEW !

Art.-No.	Description
	<p>EBS/ABS-socket 7-pin according to ISO 7638</p> <ul style="list-style-type: none"> · Injected seal in housing · Controlled GGVS and ADR · For cable section 8-12,5 mm · 5 x 1,5 mm² + 2 x 4 mm² · Massive contact with crimp connection · Contact insert with seal · OEM-Version · Available with hand crimping tools
785 420 500	<p>Version: cable exit with screw cap nut Pin contacts and seals (7 pieces) incl.</p>
785 420 600	<p>Version: conduit exit Incl. pin contacts (7 pcs) and seals, conduit exit axial NW13</p>
785 420 700	<p>Incl. pin contacts (7 pcs) and seals, conduit exit 90° NW13</p>
785 420 800	<p>Incl. pin contacts (7 pcs) and seals, conduit exit axial NW17</p>
785 420 900	<p>Incl. pin contacts (7 pcs) and seals, conduit exit 90° NW17</p>
785 220 300	<p>Park socket 24 V</p>
	<p>Additional parts</p> <p>785 125 000 Socket housing with cover</p> <p>785 420 080 Contact insert EBS 7-pin with seal</p> <p>785 120 080 Contact insert ABS 5-pin with seal</p> <p>785 120 050 Bayonet ring</p> <p>785 120 030 Conduit exit axial NW13</p> <p>785 120 040 Conduit exit 90° NW13</p> <p>785 120 060 Conduit exit axial NW17</p> <p>785 120 070 Conduit exit 90° NW17</p>
	<p>Accessories</p> <p>785 130 911 Massive pin contact with crimp connection 1 - 2,5 mm² Individual pin contact</p> <p>785 130 910 Reel of 1.200 pcs</p> <p>785 110 940 Single wire seal 1-2,5 mm² (2.500 pcs)</p> <p>785 130 921 Massive pin contact with crimp connection 4 mm² Individual pin contact</p> <p>785 130 920 Reel of 1.200 pcs</p> <p>785 110 950 Seal 4 mm² (2.500 pcs)</p>





Connectors | 15-pin | 24 V | ISO 12098



Art.-No.	Description
	Socket 15-pin ISO 12098 <ul style="list-style-type: none"> · Injected seal in housing · Controlled GGVS and ADR · For cable section 10-14 mm · 15 x 1,5 mm² · Available with hand crimping tool
785 320 100 785 320 200	Pin contact and cable exit with screw cap nut <ul style="list-style-type: none"> · 2-part pin contact with external snap ring · Material of pin contact: Nickel silver, optimum anticorrosive coating Incl. pin contact and seals Without pin contact and seals
785 320 300 785 320 310	Pin contact and conduit exit NW 13, 180° <ul style="list-style-type: none"> · 2-part pin contact with external snap ring · Material of pin contact: Nickel silver, optimum anticorrosive coating Incl. pin contact and seals Without pin contact and seals
785 322 100	Screw contacts and cable exit with screw cap nut Incl. screw contacts
785 220 300	Park socket 24 V

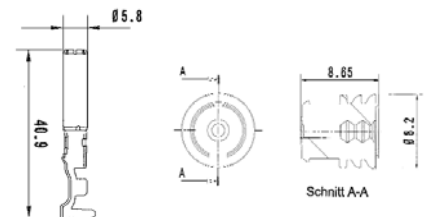
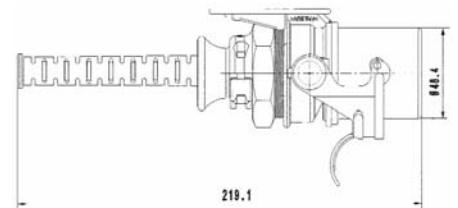
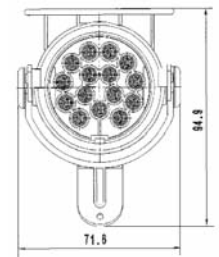
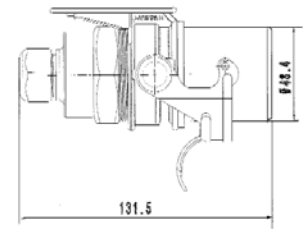
Accessories	
785 120 911	Pin contact 1 - 2,5 mm² (2-part) Individual pin contact
785 120 910	Reel of 1.200 pcs
785 110 940	Single wire seals 1-2,5 mm ² (2.500 pcs)

Connectors | 15-pin | 24 V | ISO 12098



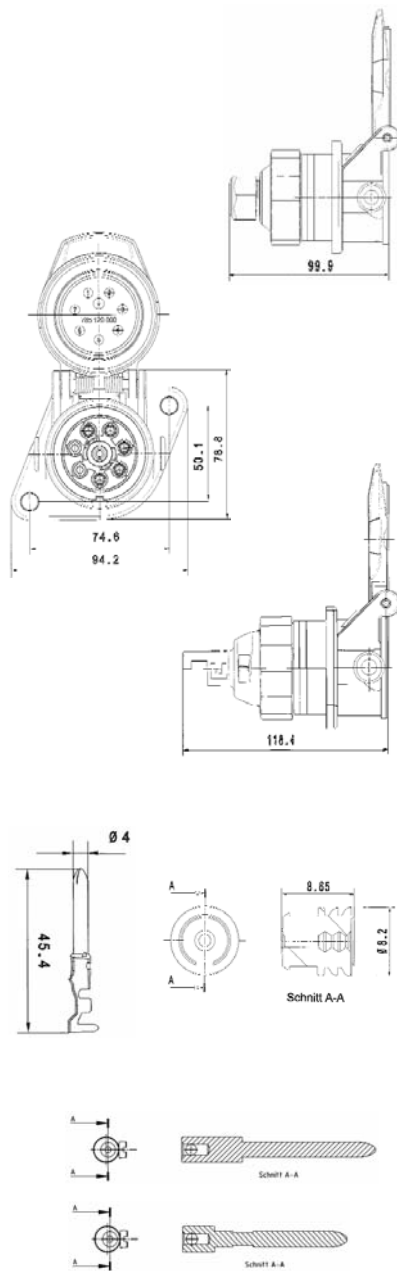
Art.-No.	Description
	<p>Plug 15-pin ISO 12098</p> <ul style="list-style-type: none"> Material contact sleeve: nickel silver, optimum anticorrosive coating Contact sleeves 3-parts with inner spring and external snap ring Controlled GGVS and ADR For cable section 10-14 mm 15 x 1,5 mm² Available with hand crimping tool
785 310 100 785 300 200	<p>For cable exit with screw cap nut</p> <p>Incl. contact sleeves and seals Without contact sleeves and seals</p>
785 310 300 785 300 310	<p>Cable exit with anti kink protection</p> <p>Incl. contact sleeves and seals Without contact sleeves and seals</p>

Accessories	
	<p>Contact sleeves 1 - 2,5 mm² (3-parts)</p> <p>Individual contact sleeve Reel of 1.200 pcs Single wire seals 1-2,5 mm² (2.500 pcs)</p>
785 110 911	Individual contact sleeve
785 110 910	Reel of 1.200 pcs
785 110 940	Single wire seals 1-2,5 mm ² (2.500 pcs)





Connectors | EBS 7-pin | 24 V | ISO 7638

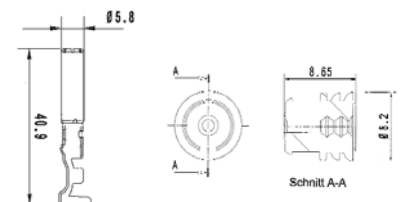
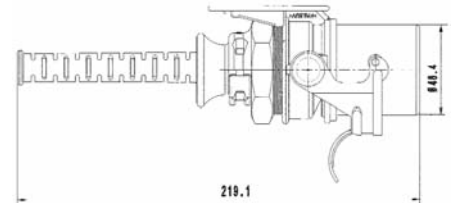
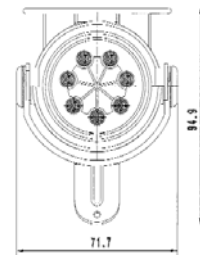
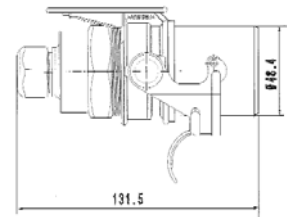


Art.-No.	Description
	EBS-socket 7-pin ISO 7638 <ul style="list-style-type: none"> · Injected seal in housing · Controlled GGVS and ADR · For cable section 8-12,5 mm · 5 x 1,5 mm² + 2 x 4 mm² · Available with hand crimping tool
785 420 100 785 420 200	Pin contact and cable exit with screw cap nut <ul style="list-style-type: none"> · 2-parts pin contact with external snap ring · Material pin contact: Nickel silver, optimum anticorrosive coating Incl. pin contacts and seals Without pin contacts and seals
785 420 300 785 420 310	Pin contact and conduit exit NW 13, 180° <ul style="list-style-type: none"> · 2-parts pin contact with external snap ring · Material pin contact: Nickel silver, optimum anticorrosive coating Incl. pin contacts and seals Without pin contacts and seals
785 422 100	Screw contacts and cable exit with screw cap nut Incl. screw contacts
785 220 300	Park socket 24 V
	Accessories
785 120 911 785 120 910 785 110 940	Pin contact 1 - 2,5 mm² (2-parts) Individual pin contact Reel of 1.200 pcs Single wire seal 1-2,5 mm ² (2.500 pcs)
785 120 921 785 120 920 785 110 950	Pin contact 4 mm² (2-parts) Single pin contact Reel of 1.200 pcs Single wire seal 4 mm ² (2.500 pcs)

Connectors | EBS 7-pin | 24 V | ISO 7638

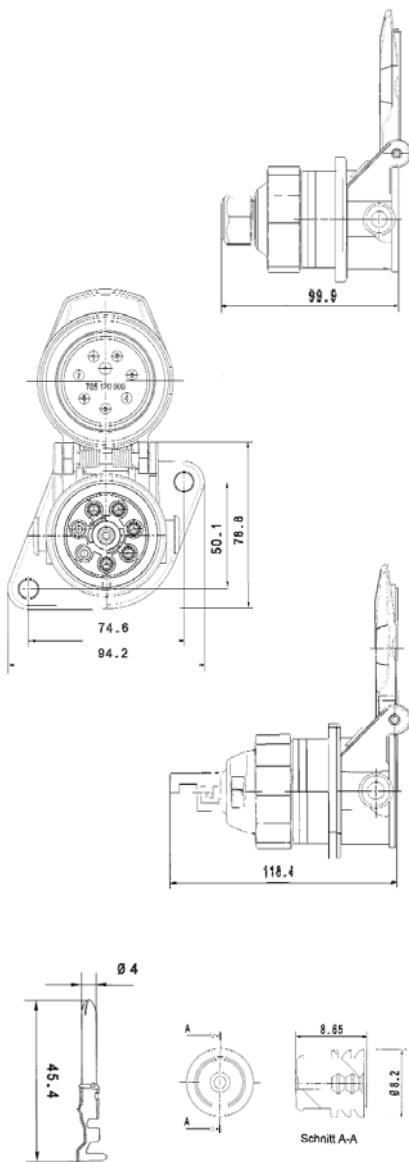


Art.-No.	Description
	<p>EBS-plug 7-pin ISO 7638</p> <ul style="list-style-type: none"> Material contact sleeve: Nickel silver, optimum anticorrosive coating Contact sleeve 3-parts with inner spring and external snap ring Controlled GGVS and ADR For cable section 10-14 mm 5 x 1,5 mm² + 2 x 4 mm² Available with hand crimping tool
785 410 100	For cable exit with screw cap nut
785 400 200	Incl. contact sleeves and seals
	Without contact sleeves and seals
785 410 300	Cable exit with anti-kink protection
785 410 310	Incl. contact sleeves and seals
	Without contact sleeves and seals
	Accessories
	Contact sleeve 1 - 2,5 mm² (3-parts)
785 110 911	Individual contact sleeve
785 110 910	Reel of 1.200 pcs
785 110 940	Single wire seals 1-2,5 mm ² (2.500 pcs)
	Contact sleeve 4 mm² (3-parts)
785 110 921	Individual contact sleeve
785 110 920	Reel of 1.200 pcs
785 110 950	Single wire seals 1-2,5 mm ² (2.500 pcs)





Connectors | ABS 5-pin | 24 V | ISO 7638

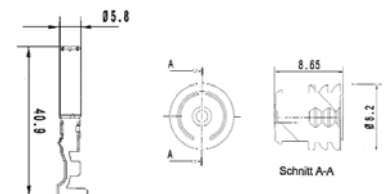
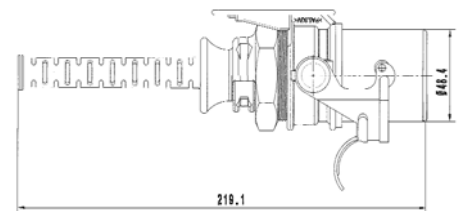
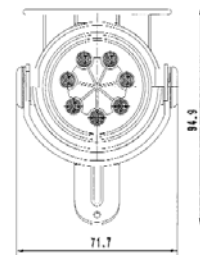
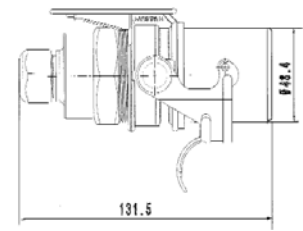


Art.-No.	Description
	ABS-Socket 5-pin ISO 7638 <ul style="list-style-type: none"> Pin contact 2-parts with external snap ring Material pin contact: Nickel silver, optimum anticorrosive coating Injected seal in housing Controlled GGVS and ADR For cable section 8-12,5 mm 3 x 1,5 mm² + 2 x 4 mm² Available with hand crimping tool
785 120 100	For cable exit with screw cap nut
785 120 200	Incl. pin contact and seals
	Without pin contact and seals
785 120 300	With conduit exit NW 13, 180°
785 120 310	Incl. pin contact and seals
	Without pin contact and seals
785 220 300	Park socket 24 V
	Accessories
	Pin contact 1 - 2,5 mm² (2-parts)
785 120 911	Individual pin contact
785 120 910	Reel of 1.200 pcs
785 110 940	Single wire seal 1-2,5 mm ² (2.500 pcs)
	Pin contact 4 mm² (2-parts)
785 120 921	Individual pin contact
785 120 920	Reel of 1.200 pcs
785 110 950	Single wire seal 4 mm ² (2.500 pcs)

Connectors | ABS 5-pin | 24 V | ISO 7638

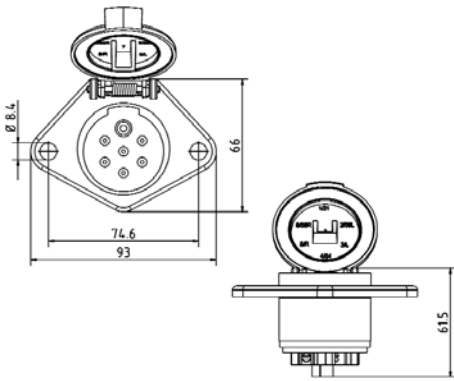


Art.-No.	Description
	<p>ABS-plug 5-pin ISO 7638</p> <ul style="list-style-type: none"> · Contact sleeve 3-parts with inner spring and external snap ring · Material contact sleeve: Nickel silver, optimum anticorrosive coating · Controlled GGVS and ADR · For cable section 10-14 mm · 5 x 1,5 mm² + 2 x 4 mm² · Available with hand crimping tool
785 110 100	For cable exit with screw cap nut
785 100 200	Incl. contact sleeve and seals Without contact sleeve and seals
785 110 300	Cable exit with anti-kink protection
785 110 310	Incl. contact sleeve and seals Without contact sleeve and seals
	Accessories
785 110 911	Contact sleeve 1 - 2,5 mm² (3-parts)
785 110 910	Individual contact sleeve
785 110 940	Reel of 1.200 pcs Single wire seal 1-2,5 mm ² (2.500 pcs)
785 110 921	Contact sleeve 4 mm² (3-parts)
785 110 920	Individual contact sleeve
785 110 950	Reel of 1.200 pcs Single wire seal 4 mm ² (2.500 pcs)





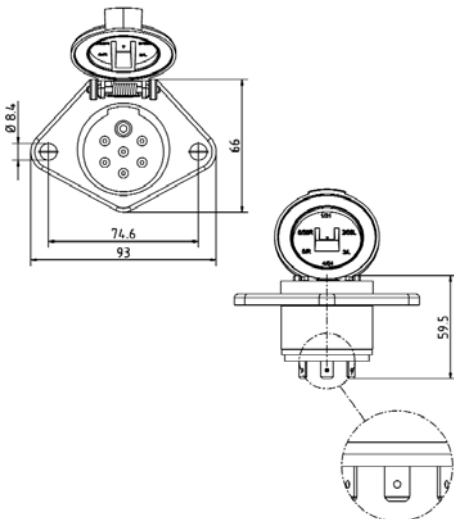
Connectors | 7-pin
24 V | ISO 1185 und 3731



Art.-No.	Description
	7-pin socket
	<ul style="list-style-type: none"> · Metal · Seal in cover · Incl. grommet · Rating: 20 A at 24 V
785 124 000	ISO 1185, Type N (screw connection)
785 124 100	ISO 3731, Type S (screw connection)
785 124 500	ISO 1185, Type N (flat terminal: 6,3mm)
785 124 600	ISO 3731, Type S (flat terminal: 6,3mm)



Art.-No.	Description
	7-pin socket, 24 V
	<ul style="list-style-type: none"> · Plastic · Injected contacts · Flat terminals 6,3mm · Rubber ring in cover · Rating: 20 A at 24 V · Incl. Grommet
785 624 000	ISO 1185, Type N
785 624 100	ISO 3731, Type S
785 724 000	Park socket ISO 1185 / 3731
... .. 1	Individual packaging



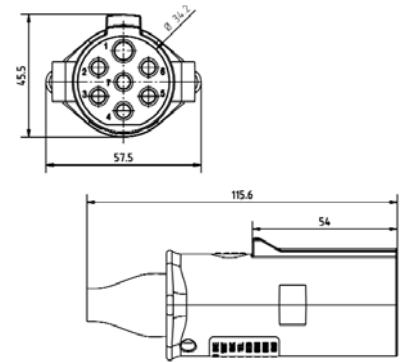
Accessories	
785 624 900	Grommet

Connectors | 7-pin

24 V | ISO 1185 und 3731

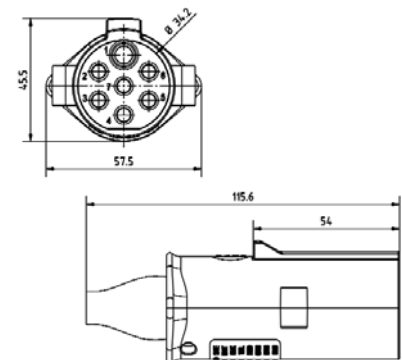


Art.-No.	Description
785 114 000	Plug, 7-pin ISO 1185, Type N <ul style="list-style-type: none">· Metal· Rating: 20 A at 24 V· Screw connection
... ..1	Individual packaging



Art.-No.	Description
785 114 100	Plug, 7-pin ISO 3731, Type S <ul style="list-style-type: none">· Metal· Rating: 20 A at 24 V· Screw connection

... ..1	Individual packaging
---------	-----------------------------





Spiral cables | 24 V

Art.-No.	Description
	<p>Electrical coil 7-core</p> <ul style="list-style-type: none"> · 6 x 1 mm² + 1 x 1,5 mm² · Working length: 3,5 m · External diameter: 45 mm · Material: PUR · Retractable properties in accordance with OEM requirements
788 500 550	With 2 metal plugs ISO 1185, Type N
788 500 650	With 2 metal plugs ISO 3731, Type S



Art.-No.	Description
	<p>Electrical coil 7-core</p> <ul style="list-style-type: none"> · 6 x 1 mm² + 1 x 1,5 mm² · Working length: 3,5 m · External diameter: 45 mm · Material: PUR · Retractable properties in accordance with OEM requirements
788 510 500	With 2 injected plastic plugs ISO 1185, Type N
788 510 600	With 2 injected plastic plugs ISO 3731, Type S

Spiral cables | 24 V



Art.-No.	Description
	Electrical coil 15-core <ul style="list-style-type: none"> · 3 x 2,5 mm² + 12 x 1,5 mm² · Working length: 3,5 m · External diameter: 75 mm · With 2 plugs 15-pin ISO 12098 · Material: PUR · Retractable properties in accordance with OEM requirements
788 700 100	With clamped cable joint
788 710 100	With anti-kink protection and trumpet cap

Art.-No.	Description
	Electrical coil EBS, 7-core <ul style="list-style-type: none"> · 2 x 4 mm² + 3 x 1,5 mm² + 1 x (2 x 1,5 mm²) · Working length: 3,5 m · External diameter: 55 mm · With 2 EBS plugs ISO 7638 · Additional twisted data pair · Material: PUR · Retractable properties in accordance with OEM requirements
788 600 500	With clamped cable gland
788 610 500	With anti-kink protection and trumpet cap



Art.-No.	Description
	Electrical coil ABS, 5-core <ul style="list-style-type: none"> · 2 x 4 mm² + 3 x 1,5 mm² · Working length: 3,5 m · External diameter: 55 mm · With 2 ABS plugs ISO 7638 · Material: PUR · Retractable properties in accordance with OEM requirements
788 600 400	With clamped cable joint
788 610 400	With anti-kink protection and trumpet cap



Spiral cables | 24 V

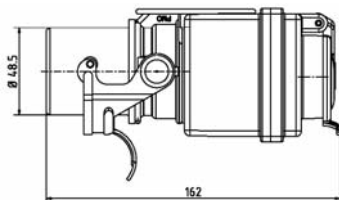
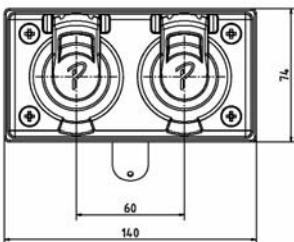
Art.-No.	Description
	Electrical coil 2 x 7-core <ul style="list-style-type: none"> · 6 x 1 mm² + 1 x 1,5 mm² per coil · Working length: 3,5 m · External diameter: 45 mm · With 1 x 15-pin plug and 2 x 7-pin plug Type N/S · Material: PUR · Retractable properties in accordance with OEM requirements
788 900 300	Injected plastic plugs, 9 cores connected
788 900 200	Injected plastic plugs, 12 cores connected
788 900 100	Injected plastic plugs, 13 cores connected
788 700 100	Metal plugs, 9 cores connected
788 700 210	Metal plugs, 12 cores connected
788 700 200	Metal plugs, 13 cores connected



Art.-No.	Description
788 700 500	Short adapter 24 V <ul style="list-style-type: none"> · Towing vehicle: 15 pin ISO 12098; Trailer: 7-pin ISO 1185 and 3731 · Material: PA6 GF30 · Contact allocation: 9-cores · Plug 15-pin, ISO 12098 · Socket 7-pin, Type N, ISO 1185 · Socket 7-pin, Type S, ISO 3731
... .. 1	Individual packaging short adapter

Art.-No.	Description
788 700 600	Short adapter 24 V <ul style="list-style-type: none"> · Towing vehicle: 15 pin ISO 12098; Trailer: 7-pin ISO 1185 and 3731 · Material: PA6 GF30 · Contact allocation: 13-cores · Plug 15-pin, ISO 12098 · Socket 7-pin, Type N, ISO 1185 · Socket 7-pin, Type S, ISO 3731

... .. 1	Individual packaging short adapter
----------	------------------------------------



24 V | Haul Truck | Contact allocation and colours of single wires for connectors in accordance with DIN ISO 7638/12098



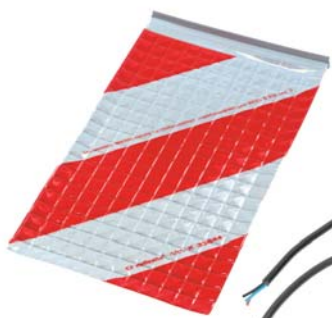
Function	Contact No. ISO 7638	Contact No. ISO 12098	Colour of wire
Left-hand direction indicator light		1	yellow
Right-hand direction indicator light		2	green
Rear fog light		3	blue
Common return for contacts 1-7		4	white
Left-hand rear position lights, marker lights and rear registration plate illumination		5	black
Right-hand rear position lights, marker lights and rear registration plate illumination		6	brown
Brake lights		7	red
Reversing lights		8	pink
Permanent power supply (steady plus)		9	orange
Reverse lock release for brake inertia		10	grey
Pressure sensor for spring braking system		11	white/black
Axle lifting device		12	white/blue
Common return for data lines		13	white/red
Data line CAN_L ¹⁾		14	white/green
Data line CAN_H ¹⁾		15	white/brown
Plus electrovalve	1		red
Plus electronics	2		black
Minus electronics	3		yellow
Minus electrovalve	4		brown
Warning device	5		white
Data line CAN_L ¹⁾	6		white/green
Data line CAN_H ¹⁾	7		white/brown

¹⁾ According with ISO 11992-1 and ISO 11992-2



**24 V | Haul Truck | Contact allocation
and colours of single wires for connectors in
accordance with DIN ISO 1185/3731**

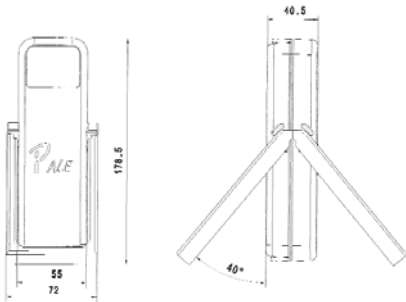
Functions	Contact No. ISO 1185	Contact No. ISO 3731	Colour of wire
Common return 1-7	1		white
Left-hand rear position and marker lights and rear registration plate illumination device	2		black
Left-hand direction indicator light	3		yellow
Brake lights	4		red
Right hand direction indicator light	5		green
Right-hand rear position and marker lights and rear registration plate illumination device	6		brown
Braking control for trailers	7		blue
Common return		1	white
Not allocated		2	black
Reversing light		3	yellow
Permanent power supply		4	red
Sensing device with common return		5	green
Power supply controlled by ignition switch		6	brown
Rear fog light		7	blue





Safety warning lights | § 53 a Abs. 1 StVZO

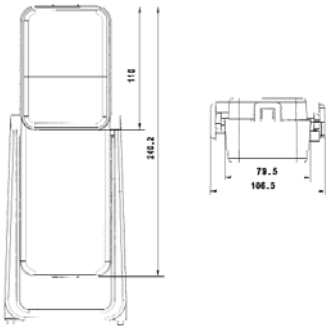
LED



Art.-No.	Description
	<p>LED-Safety warning light PALE</p> <ul style="list-style-type: none"> · Equipment: 2x mono cells LR 20 · GGVS controlled · Blinking light > 150 hours, steady light > 5 hours · The electronics used (Boost-Converter) ensure uniform brightness over the entire service life and optimum utilization of the battery capacity
767 000 000	Bulk (without mono cells)
767 000 001	Cardboard box (without mono cells)



Art.-No.	Description
	<p>Halogen safety warning light</p> <ul style="list-style-type: none"> · Type 30 with steady light · Battery version · Equipment: 5x mono cells LR 20 · GGVS controlled
760 000 000	Bulk (without mono cells)
760 000 001	Cardboard box (without mono cells)
760 000 002	Hard box (without mono cells)

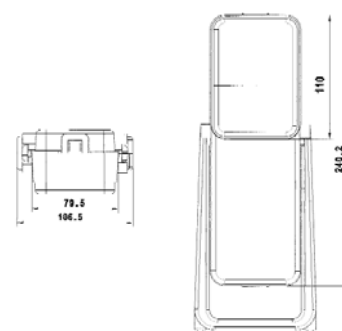


Accessories	
750 000 300	Hard box

Safety warning lights | § 53 a Abs. 1 StVZO



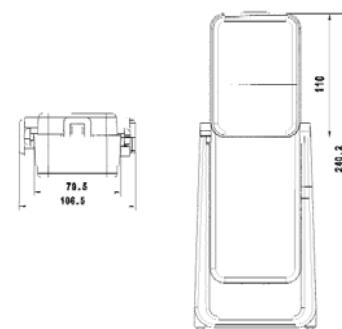
Art.-No.	Description
	Halogen safety warning light <ul style="list-style-type: none"> · Type P31 with steady light · Version with rechargeable battery · Equipment: 5 x mono cells LR 20 · With chargeable cable, universal 12 / 24 V · Overcharging and deep discharge protection · GGVS controlled
750 000 000	Bulk (without mono cells)
750 000 001	Individual cardboard box (without mono cells)
750 000 002	Hard box (without mono cells)



Art.-No.	Description
	Halogen safety warning light <ul style="list-style-type: none"> · Type P32 without steady light · Version with mono cells · Equipment: 5 x mono cells LR 20 · GGVS controlled
765 000 000	Bulk (without mono cells)
765 000 001	Individual cardboard box (without mono cells)
765 000 002	Hard box (without mono cells)

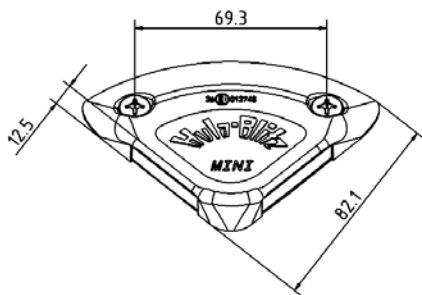


Accessories	
750 000 300	Hard box

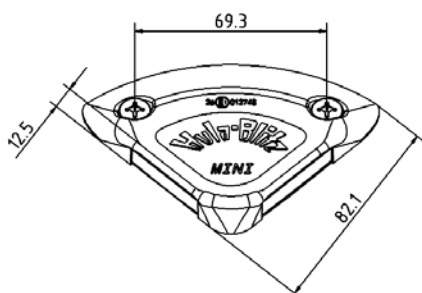




Warning lights for tail lift | § 53 b StVZO



Art.-No.	Description
	<p>Hula-Blitz Mini, 4 LED</p> <p>The warning light is made for securing lifting platforms and is equipped with two non-replaceable light sources (LED) that flash both backwards and to the side. This ensures the security in the area of the platform. The light sources are offset 90° and constructed photometrically identical so that the light can be mounted on a tail lift left or right. The light is very flat and has an optimized slope design.</p> <ul style="list-style-type: none"> · Cover made of zinc die casting water and dust proof to IP67 and IPx9K · Light source: 4 x Power LED Light source: 12-24 V Thickness: 12 mm
746 100 101	Universal light with electronics (without flasher) for connection to the electrical system. In this case both blinking lights must be powered by an external flasher relay.
746 200 101	Master with electronics for connection to the electrical system, incl. flasher
746 210 101	Slave without electronics for connection to the master
	Accessories
710 001 005	Flasher 12 V / 24 V
747 900 900	Protection bar for Hula-Blitz Mini

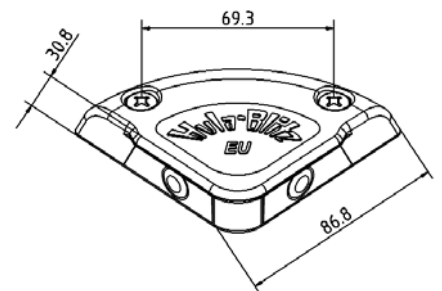


Art.-No.	Description
	<p>Hula-Blitz Mini, 2 LED</p> <p>The warning light is made for securing lifting platforms and is equipped with two non-replaceable light sources (LED) that flash both backwards and to the side. This ensures the security in the area of the platform. The light sources are offset 90° and constructed photometrically identical so that the light can be mounted on a tail lift left or right. The light is very flat and has an optimized slope design.</p> <ul style="list-style-type: none"> · Cover made of zinc die cast water and dust proof to IP67 and IPx9K · Light source: 2 x Power LED Light source: 12-24 V Thickness: 12 mm
747 100 101	Universal with electronics (without flasher) for connection to the electrical system. In this case both blinking lights must be powered by an external flasher relay.
747 200 101	Master with electronics for connection to the electrical system incl. flasher
747 210 101	Slave without electronics for connection to the Master
	Accessories
710 001 005	Flasher 12 V / 24 V
747 900 900	Protection bar for Hula-Blitz Mini

Warning lights for tail lift | § 53 b StVZO



Art.-No.	Description
	<p>Hula-Blitz EU</p> <ul style="list-style-type: none"> · Increased security through offset light sources · Cover made of zinc die cast · Water and dust proof in accordance with IP67 and IPx9K · Light source: 2 x Power-LED · Operation voltage: 12-24 V · Thickness: 19 mm
744 100 101	Universal (technically identical to Hula-Blitz Mini)
744 200 101	Master (technically identical to Hula-Blitz Mini)
744 210 101	Slave (technically identical to Hula-Blitz Mini)

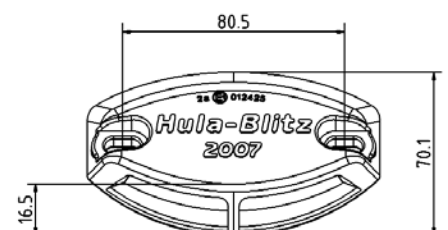


710 001 005	Flasher 12 V / 24 V
-------------	----------------------------

Art.-No.	Description
745 100 101	<p>Hula-Blitz 2007</p> <p>The Hula-Blitz 2007 is compatible with all other tail lift lights presently on the market because of its two slot holes.</p> <ul style="list-style-type: none"> · Cover made of zinc die cast · water and dust proof in accordance with IP67 and IPx9K · Light source: 2 x Power LED · Operating voltage: 12-24 V · Thickness: 16 mm

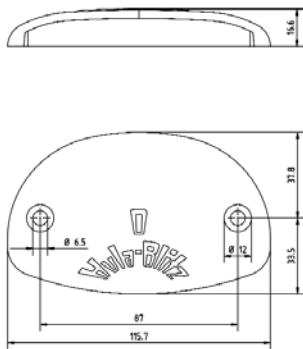


710 001 005	Flasher 12 V / 24 V
-------------	----------------------------





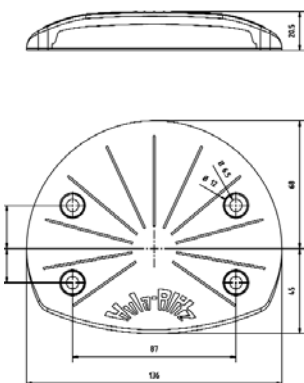
Warning lights for tail lift | § 53 b StVZO



Art.-No.	Description
	Hula-Blitz D · Cover made of zinc die cast · Water and dust proof with diode block · Light source: LED-Block with 12 diodes · Thickness: 16 mm
742 200 101	24 V Individual light
742 100 101	12 V Individual light
742 200 102	24 V set incl. electrical kit
742 100 102	12 V set incl. electrical kit
710 001 005	Flasher 12 V / 24 V

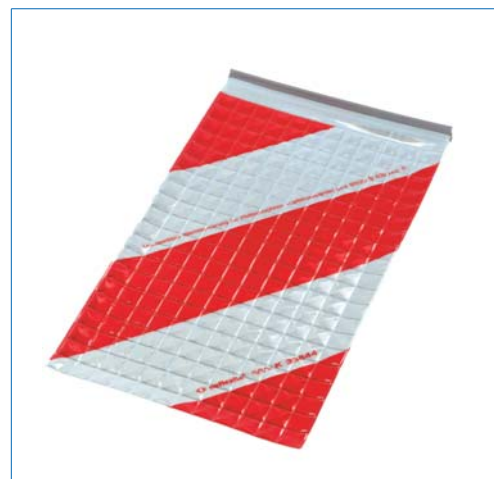


Art.-No.	Description
	Hula-Blitz · Cover made of zinc die cast incl. lamp · Light source: Light bulb W5W
741 004 000	24 V Individual light
731 003 000	12 V Individual light
721 002 000	24 V set incl. electrical kit
721 001 000	12 V set incl. electrical kit



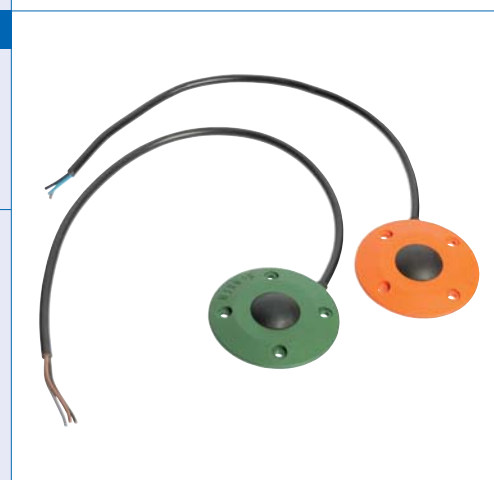
Art.-No.	Description
	Hula-Blitz PC · Cover made of polycarbonate incl. lamp · Light source: Light bulb W5W
740 004 000	24 V Individual light
730 003 000	12 V Individual light
710 001 005	Flasher 12 V / 24 V

Accessories for tail lifts | § 53 b StVZO



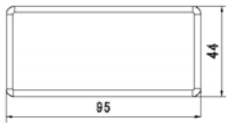
Art.-No.	Description
	Warning markers / Warning flag „checkered“ <ul style="list-style-type: none"> · With trail · Material: reflective foil · Dimensions: 25x42 cm
930 000 000	Set composed of two warning flags left and right
920 000 000	Set composed of two warning flags left and right, additionally two aluminium holders
930 001 000	Warning flag left without holder
930 002 000	Warning flag right without holder
920 001 000	Warning flag left with holder
920 002 000	Warning flag right with holder
940 009 000	Aluminium holder

Art.-No.	Description
	Foot control for tail lift <ul style="list-style-type: none"> · Completely wired · Cable: 500 mm · Without Connectors
741 991 010	„Lift up“, colour orange
741 991 020	„Lift down“, colour green
741 991 030	„Neutral“, colour black





Reflectors



Art.-No.	Description
----------	-------------

Reflector 95 x 44 mm

- with self-adhesive film
- Material: PMMA
- optimal light value

790 002 120	white
790 002 420	yellow
790 002 720	red



Art.-No.	Description
----------	-------------

Reflector round Ø 60 mm

- with screw hole 6 mm
- Material: PMMA
- optimal light value

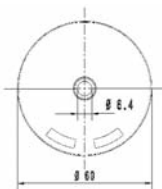
790 001 110	white
790 001 130	white, with self-adhesive film
790 001 410	yellow
790 001 430	yellow, with self-adhesive film
790 001 710	red
790 001 730	red, with self-adhesive film

Art.-No.	Description
----------	-------------

Reflector round Ø 60 mm

- with self-adhesive film
- Material: PMMA
- optimal light value

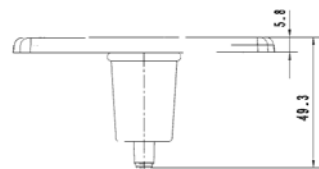
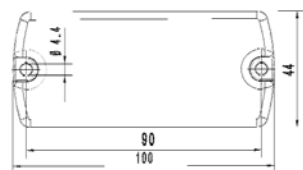
790 002 120	white
790 002 420	yellow
790 002 720	red



Side marker lights | § 51 a StVZO



Art.-No.	Description
	Side marker light P200 <ul style="list-style-type: none">· Dimensions: 100x44x6 mm· Two holes with a diameter of Ø 4 mm· Hole distance: 90 mm· With rubber pad· Light source: glass lamp W3W (not supplied)· GGVS controlled
775 000 010	With straight lamp socket incl. rubber pad
775 000 020	With angled lamp socket
	Accessories
775 000 210	Mounting plate short P200
775 000 310	Mounting bracket short P200
775 000 110	Mounting bracket long P200

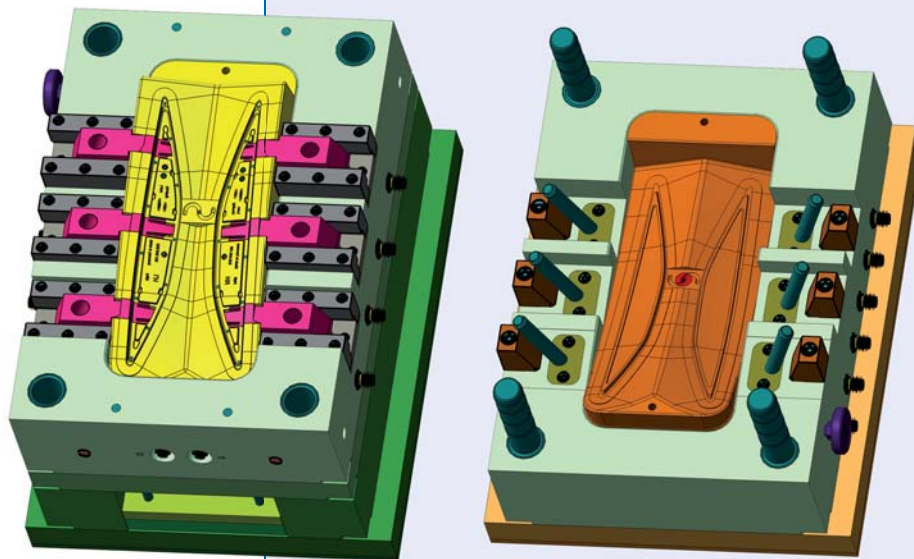


From the development to the finished series products

... you always have the right partner on your side with Plastimat.

Our own development with CAD/3D-design along with our tool construction make it possible to respond to individual customer requests in a very short time.

Starting with a feasibility study to prototypes and finished products: Plastimat accompanies you in all areas.



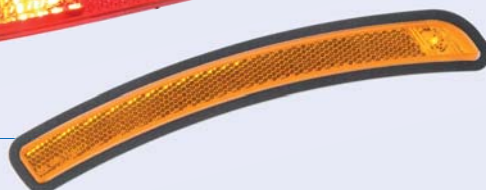
Reflector Ford S-Max



Rear fog light Daimler Sprinter



Side marker light BMW i8



Vehicle reflectors according to customer design

OEM



Audi A3 Basis

Golf 7

VW Beetle

BMW i8

Daimler S-Klasse AMG

Daimler Sprinter



Our philosophy

Mobility is an important and essential part of life in today's society and the steadily increasing individual traffic also means new challenges to road safety..

Plastimat GmbH has taken up this challenge and produced since 1991 products that set new safety standards on the roads of Europe. Plastimat is a plastic processor and manufacturer of cable assemblies / units with electrical / electronic components. Their own development, CAD/3D-design and tool making make it possible to respond to individual customer requests on demand at short notice.

Our products

Own products and innovation performance in our core business is the guarantee for maximum flexibility for Plastimat to produce at short notice as required and on demand.

The company really wants to set up technological pioneering work to provide new innovative products and to optimize already available products in order to increase the safety standards on the road.

Security needs reliability

The most innovative solutions lose their value when it is not 100 % guaranteed that they are of practical use. That's why Plastimat sets a high standard in its Quality Assurance both in development and production: our computerized quality management has been certified by TÜV according to ISO/TS 16949.

The use of CAD and CAM systems in the design and production makes it possible for our Quality Assurance to exclude in advance with maximum precision any possible sources of error. The partners of Plastimat can therefore always rely on a high level of quality – especially for orders at short notice.

With security in the future

A look at the development of the automotive market shows that the limits of mobility are far from being achieved. The resulting pressure to innovate is a new challenge for automotive manufacturers, suppliers and even for the legislator. The globalization of the markets, the Europe-wide standardization of norms and the central problem of the ecological compatibility of the products and their manufacturing processes require an adaptable business plan from companies like Plastimat.

Plastimat has already proved that it is possible to plan and develop in the past for the future providing that the company can react with flexibility to the changes and is able to expand and update its core competencies. From a business perspective, this means that Plastimat can anticipate potential pressure to innovate and influence the demand. From the customer perspective this means up to date security. Plastimat remains a competent partner in the global industry.



Safety on roads



Safety for our environment

People and their desire to enjoy their freedom of movement safely are the focus of Plastimat philosophy. However, road traffic means not only mobility but is also a burden for the ecosystem and thus for the people themselves.

Consequently, Plastimat decided to not only make high quality products affordable but also to produce them ecologically. This successful concept has been integrated in its company strategy.

Plastimat – Your partner on and for roads

Our customers

VW-Group

- Volkswagen
- Volkswagen-Nutzfahrzeuge
- Audi
- Seat
- Skoda
- Porsche
- Bugatti
- Bentley

Daimler/AMG

Ford

BMW

Peugeot

Citroën

Renault

Volvo

Delphi

Leoni

Yazaki

Kromberg & Schubert

Dräxlmaier

Magna

Sumitomo

Fujikura

Bosal Oris

Westfalia

SMP

Faurecia

Plastic Omnium

Magna

Rehau

Zentec

Polytec

MS Design

Autotest

Webasto



Stahlstraße 1
D-33378 Rheda-Wiedenbrück
Telefon: +49 (0) 52 42 - 40 75-0
Telefax: +49 (0) 52 42 - 40 75-29
info@plastimat.de



Freiburger Straße 35
D-16515 Oranienburg
Telefon: +49 (0) 33 01 - 59 75-0
Telefax: +49 (0) 33 01 - 59 75-99

www.plastimat.de