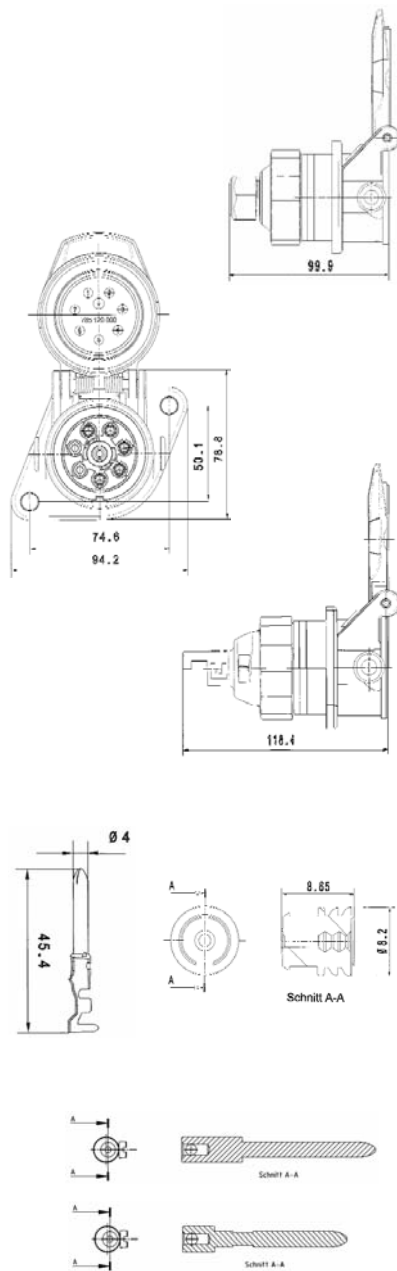




Connectors | EBS 7-pin | 24 V | ISO 7638



Art.-No.	Description
	EBS-socket 7-pin ISO 7638 <ul style="list-style-type: none"> · Injected seal in housing · Controlled GGVS and ADR · For cable section 8-12,5 mm · 5 x 1,5 mm² + 2 x 4 mm² · Available with hand crimping tool
785 420 100 785 420 200	Pin contact and cable exit with screw cap nut <ul style="list-style-type: none"> · 2-parts pin contact with external snap ring · Material pin contact: Nickel silver, optimum anticorrosive coating Incl. pin contacts and seals Without pin contacts and seals
785 420 300 785 420 310	Pin contact and conduit exit NW 13, 180° <ul style="list-style-type: none"> · 2-parts pin contact with external snap ring · Material pin contact: Nickel silver, optimum anticorrosive coating Incl. pin contacts and seals Without pin contacts and seals
785 422 100	Screw contacts and cable exit with screw cap nut Incl. screw contacts
785 220 300	Park socket 24 V
	Accessories
785 120 911 785 120 910 785 110 940	Pin contact 1 - 2,5 mm² (2-parts) Individual pin contact Reel of 1.200 pcs Single wire seal 1-2,5 mm ² (2.500 pcs)
785 120 921 785 120 920 785 110 950	Pin contact 4 mm² (2-parts) Single pin contact Reel of 1.200 pcs Single wire seal 4 mm ² (2.500 pcs)