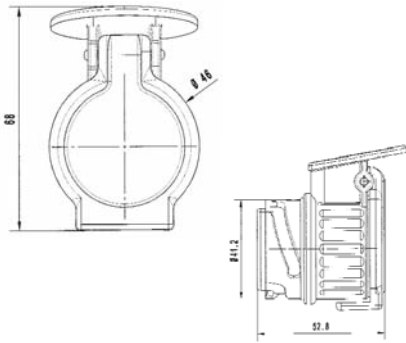




## Adapters for connectors



Art.-No.	Description
780 415 000	<b>Adapter P 50</b> <ul style="list-style-type: none"> <li>· 13- to 7-pin</li> <li>· Length: 50 mm</li> <li>· Material: PA6 GF30</li> <li>· Seal in cover</li> <li>· Car: 13-pin socket; Trailer: 7-pin plug</li> <li>· ISO 11446 to ISO 1724</li> <li>· watertight/<b>injected</b> contacts</li> </ul>

... .. 1	<b>Individual packaging</b>
----------	-----------------------------



Art.-No.	Description
780 425 000	<b>Adapter GB</b> <ul style="list-style-type: none"> <li>· 7- to 13-pin</li> <li>· Length: 50 mm</li> <li>· Material: PA6 GF30</li> <li>· Car: 7-pin socket; Trailer: 13-pin plug</li> <li>· ISO 1724 to ISO 11446</li> <li>· watertight/<b>injected</b> contacts</li> </ul>

... .. 1	<b>Individual packaging</b>
----------	-----------------------------

