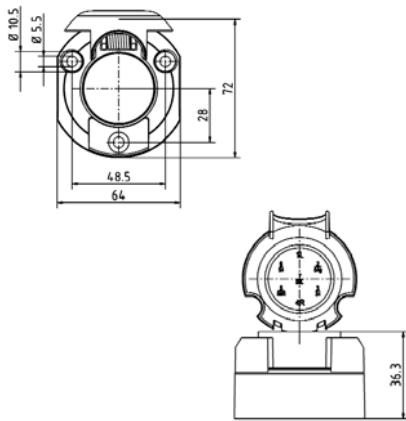




Connectors | 7-pin | 12 V | ISO 1724



Art.-No.	Description
	7-pin socket ISO 1724 <ul style="list-style-type: none"> Impact resistant plastic Middle contact (58 L), with contact pin Load capacity: 20 A at 12 V Screw contacts
782 220 200	Without microswitch for rear fog light
782 220 000	With microswitch for rear fog light
	Accessories
782 102 000	Grommet, flat, exit axial



Art.-No.	Description
	7-pin socket nach ISO 1724 <ul style="list-style-type: none"> Metal Middle contact (58 L), with contact pin Load capacity: 20 A at 12 V Screw contacts
782 124 300	Without microswitch for rear fog light
782 124 100	With microswitch for rear fog light
	Accessories
782 102 000	Grommet, flat, exit axial

